



LPX6 Lightweight, Portable Explosion-Proof Floodlight

Overview

The LPX6 is a lightweight, portable explosion-proof light designed to provide temporary lighting in oil & gas, petro-chemical, aviation, marine and utility applications.

Suitable for use in Zones 1, 2, 21 & 22 and either 115V ac or 230V ac power supplies, these lights can be used for a broad range of tasks.

Weatherproof to IP66 they are suitable for use in the harshest environments and are fitted with 0.5m of cable and an ATEX plug.

Utilising high output LED light engines, they provide excellent illumination while running very cool to ensure high reliability and long life.



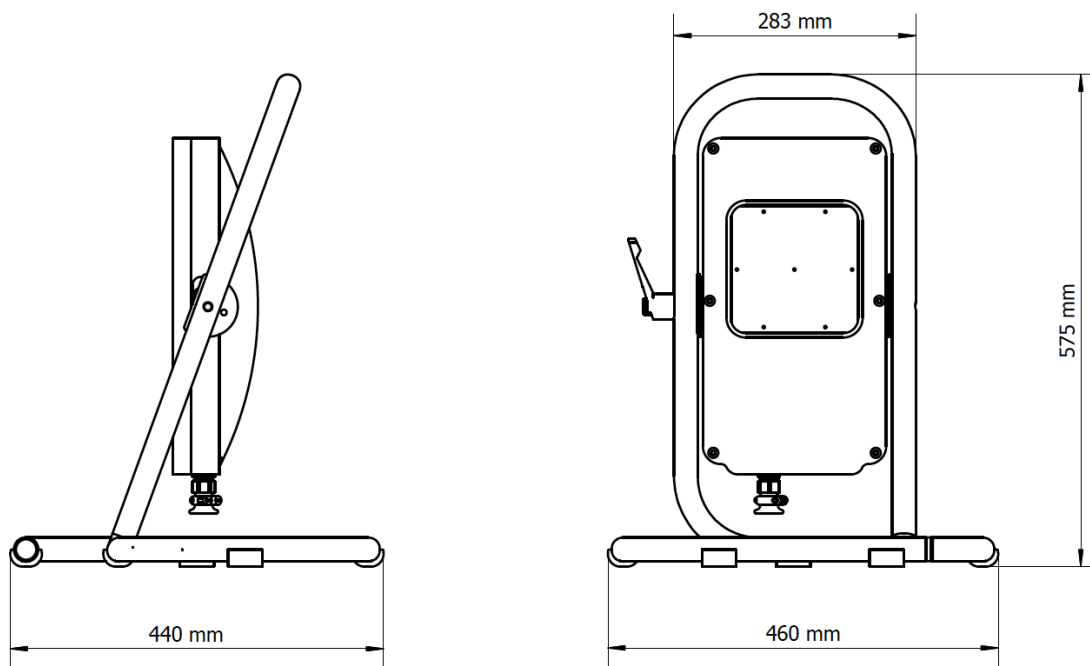
Features

- ATEX/IECEx approved for use in Zones 1, 2, 21 and 22
- Lightweight, robust and vibration resistant design
- Stainless steel frame with adjustable light angle
- High Light output, 5800 Lumens
- Instant Strike
- Marine grade corrosion resistant alloy enclosure
- Dual voltage 115V ac / 230V ac





Dimensions



Technical Specification

Application	Oil & Gas, Petro-Chemical, Marine
ATEX Certification	ATEX, IECEx II 2 G D Ex e mb op is IIC T5 Gb, Ex tb op is IIIC T100°C Db, Ta = -20°C to +40°C II 2 G D Ex e mb op is IIC T4 Gb, Ex tb op is IIIC T135°C Db, Ta = -20°C to +60°C
Ingress Protection Rating	IP65
Operating Temperature	-20°C to +60°C
Weight (Without cable)	12 Kg
Light source	High Output LED
Light Output	5800 Lumens
Colour Temperature	5700K
Colour Rendering	>70
Input Voltage	110 - 240V ac
Material	Flood Light: Marine Grade Aluminium Frame: Stainless Steel
Estimated Life	>75,000
Cable Size	0.75mm ²
Cable Length	0.5m fitted with ATEX Plug

LUMENOX

Firwood House, Firwood Road, Garretts Green, Birmingham, B33 0TG United Kingdom

+44 (0)121 592 0292 sales@lumenox.co.uk www.lumenox.co.uk